

# Reference electrodes

## Applications



**Waste Water Treatment**



**Cooling And Boiler Feed Water**



**Process Water**

## Description

Reference electrodes will be use a reference point of other electrodes with relative potentials e.g. at pH or ORP measurement. The liquid filled is mainly used in waste water, the gel filled needs lower maintenance and is used in standard application.

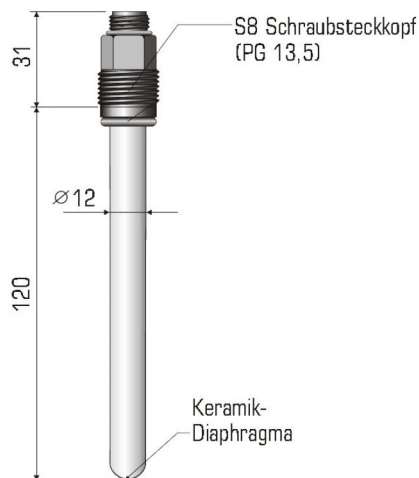


# Reference electrodes

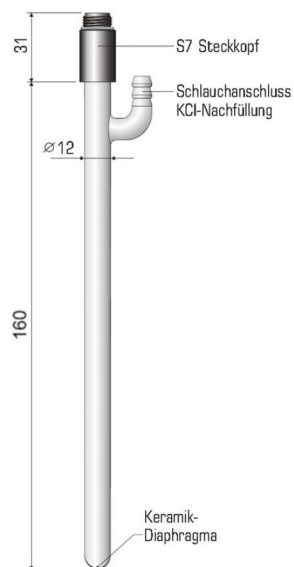
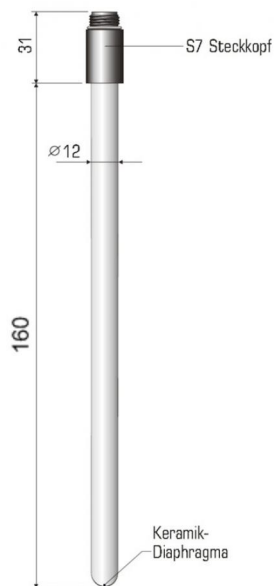
## Mechanical construction

Junction	2 mm ceramic
Shaft material	Glass
Reference system	Ag/AgCl/ 3M KCl Ag/AgCl/ Tepox gel
Mechanical connection	S7 plug (B-400-B-2-2 / B-400-B-1-2) S8 screw plug - PG 13,5 (B-400-B-2-2-PG)
Electrical connection	2-pole screw connection

## Mechanical drawing



# Reference electrodes



# Reference electrodes

## Storage version

Article number	Name	Description
24133000K	B-400-B-1-2	Reference electrode, 3 M KCl liquid, shaftlength 160mm, S7 plug
24133100K	B-400-B-2-2	Reference electrode, Tepoxgel, shaftlength 160mm, S7 plug
24133110K	B-400-B-2-2-PG	Reference electrode, Tepoxgel, shaftlength 120mm, S8 screw plug

